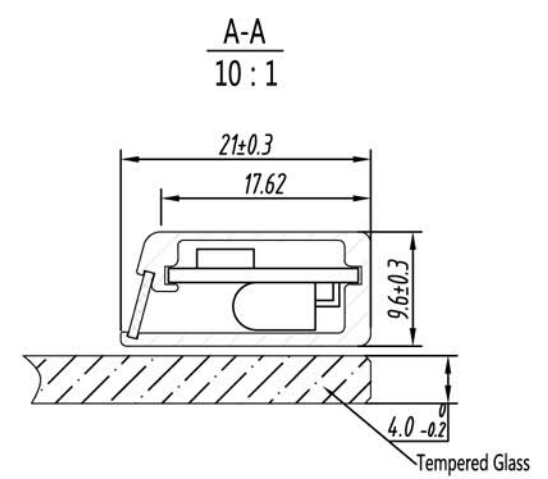
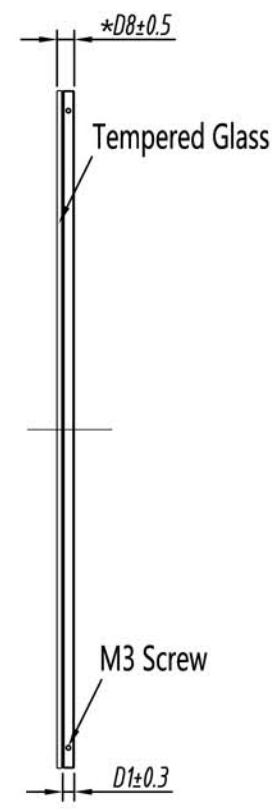
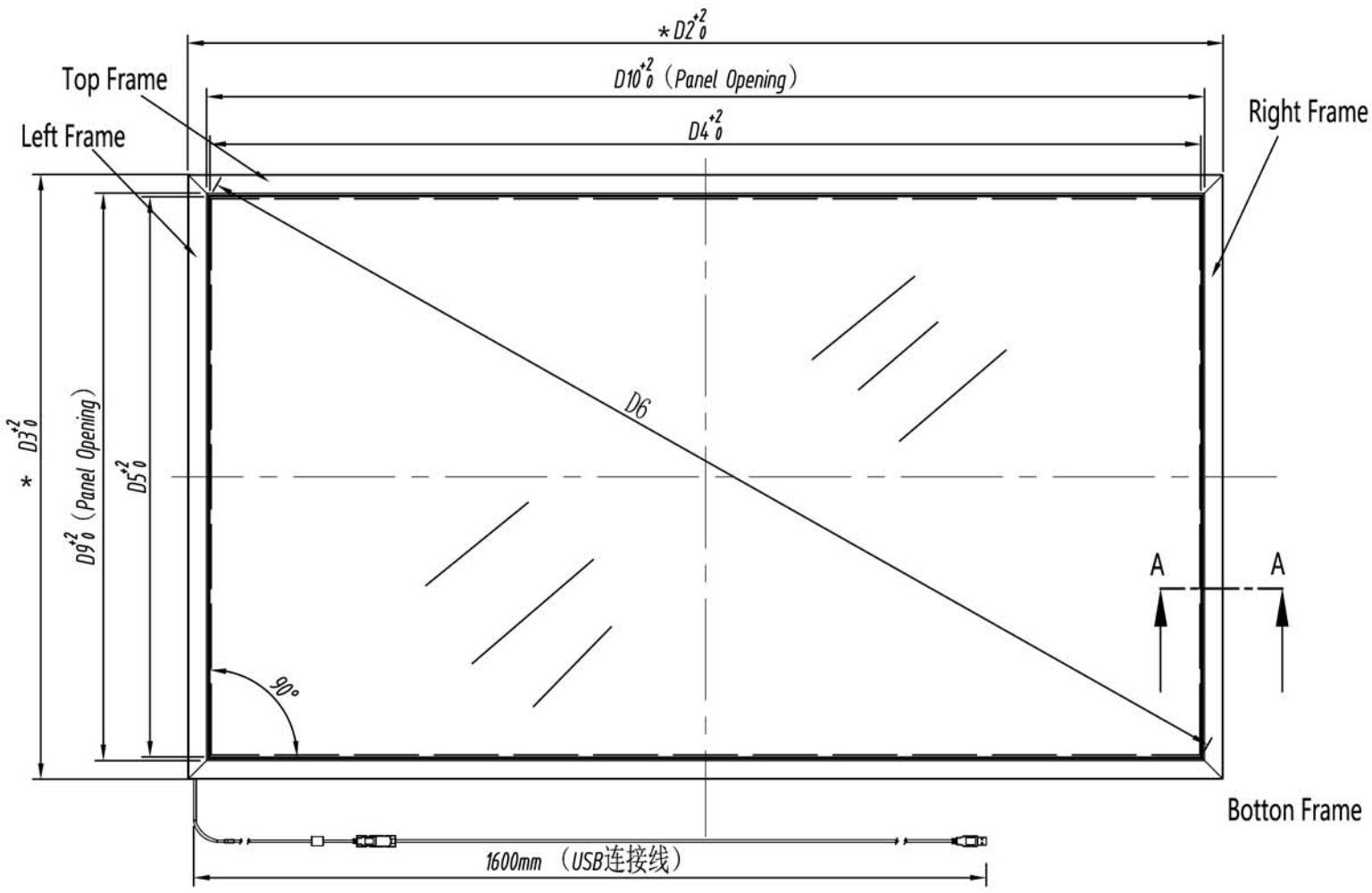


LOGO	Date	Changes
△1		
△2		
△3		



尺寸 (inch)	厚度 (mm)		外尺寸 (mm)		触摸区尺寸 (mm)		开口尺寸 (mm)	
	框厚D1 (不含玻璃)	框总厚D8 (含玻璃)	宽度 D2	高度D3	宽度D4	宽度D5	宽度D10	宽度D9
32 "	9.6	14.4	743	436	701	394	707.8	400.8
42 "	9.6	14.4	974	569	932	527	938.8	533.8
46 "	9.6	14.4	1062	615	1020	573	1026.8	579.8
55 "	9.6	14.4	1252	721	1210	679	1216.8	685.8
65 "	9.6	14.4	1472	847	1430	805	1436.8	811.8
70 "	9.6	15.4	1582	911	1540	869	1546.8	875.8
84 "	9.6	15.4	1907	1091	1865	1049	1871.8	1055.8

Tolerances (Hardware) (Unless otherwise stated)				单机用量:	1
0--100	±0.1	100--200	±0.15	Approved By:	Unit: mm
200--300	±0.2	300--	±0.3	Checked By:	
Tolerances Angle				±2°	
					Date: 20160219