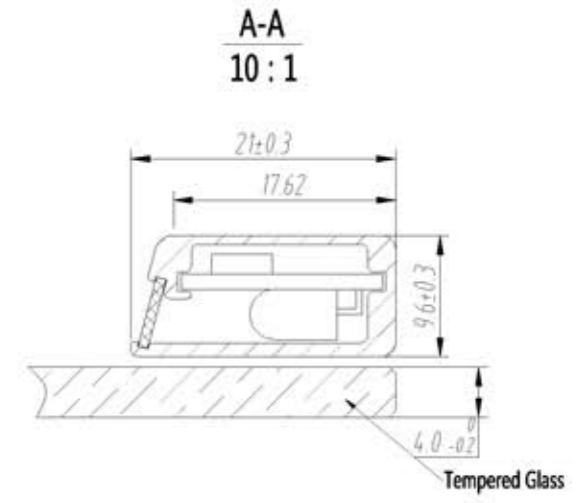
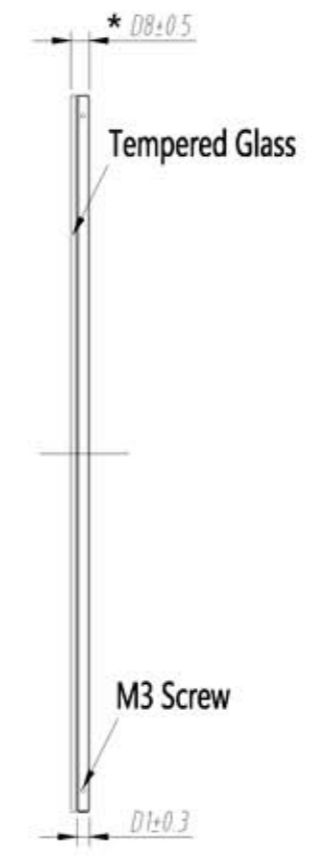
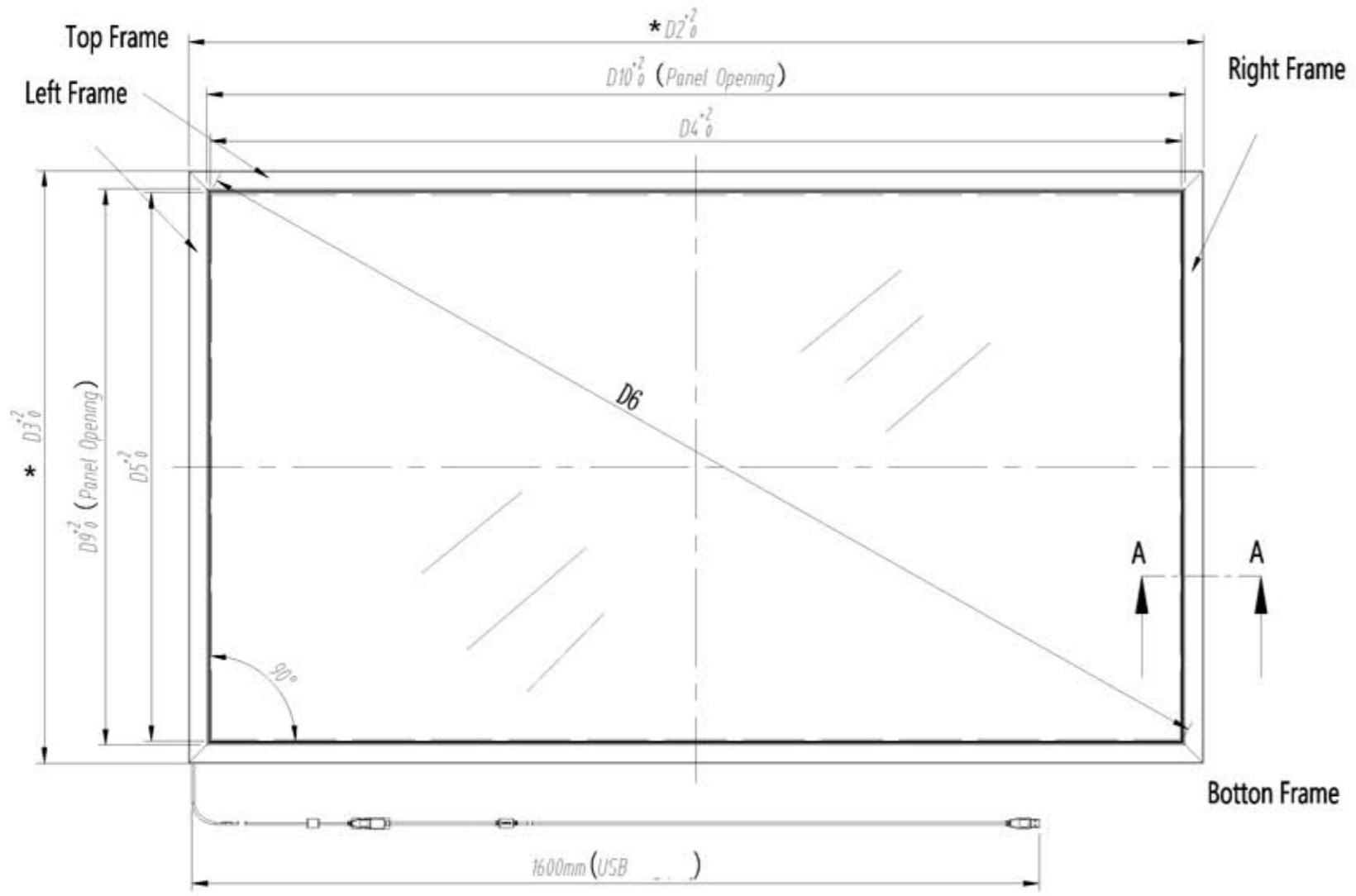


| LOGO | Date | Changes |
|------|------|---------|
| △1 | | |
| △2 | | |
| △3 | | |



| (inch) | (mm) | | (mm) | | (mm) | | (mm) | |
|---------------|------|------|------|-------|------|-------|--------|-------|
| | D1 | D8 | D2 | D3 | D4 | D5 | D10 | D9 |
| 22inch | 9.6 | 14.4 | 523 | 314 | 481 | 272 | 487.8 | 278.8 |
| 23inch | 9.6 | 14.4 | 555 | 333 | 513 | 291 | 516.9 | 294.9 |
| 24inch | 9.6 | 14.4 | 575 | 343.5 | 533 | 301.5 | 539.8 | 308.3 |
| 27inch | 9.6 | 14.4 | 640 | 379 | 598 | 337 | 604.8 | 343.8 |
| 47inch | 9.6 | 14.4 | 1084 | 628.4 | 1042 | 586.4 | 1048.8 | 593.2 |

| Tolerances (Hardware) (Unless otherwise stated) | | | | 1 | |
|--|------|----------|-------|--------------|----------------|
| 0--100 | ±0.1 | 100--200 | ±0.15 | Approved By: | Unit: mm |
| 200--300 | ±0.2 | 300-- | ±0.3 | Checked By: | |
| Tolerances Angle | | | | ±2° | Drawn By: |
| | | | | | Date: 20160219 |